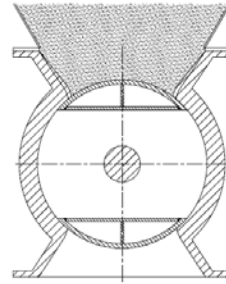
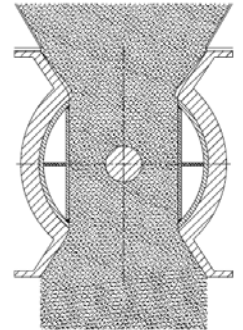


CI-RPV Series Rotary Airlock Valve



ROTARY PLUG VALVE SHOWN CLOSED



ROTARY PLUG VALVE SHOWN OPEN

Rotary Plug Valve

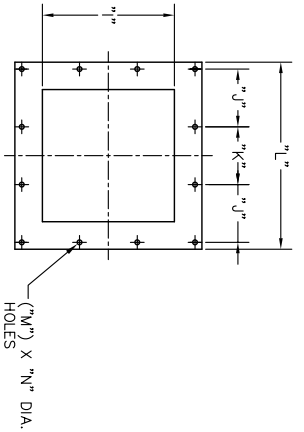
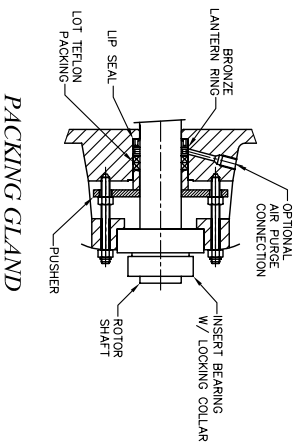
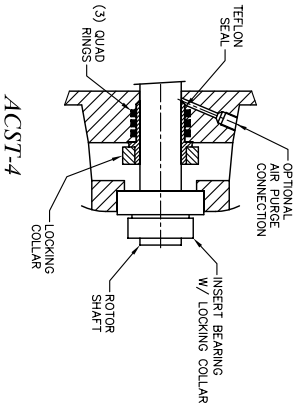
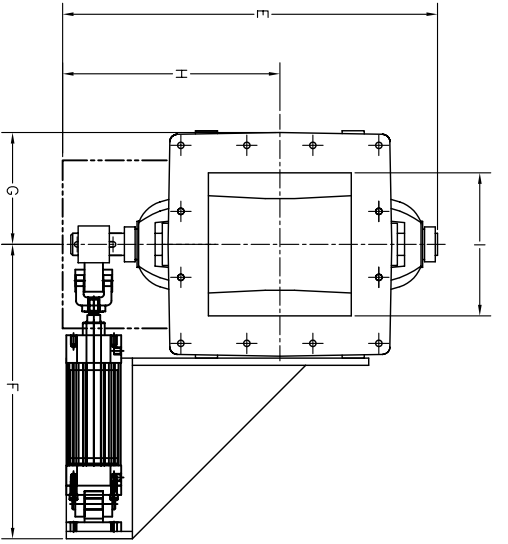
Features

- Available in 5 sizes
- Dependable effective design
- Heavy duty rugged construction
- Clam style rotor
- Precision machining of components
- Unique shaft seal design
- Square/Round flanges available
- Available in cast iron, 304 SS and 316 SS
- Air operated actuation, including air cylinder
- Air control package including solenoid, lot fittings % tubing factory assembled on valve

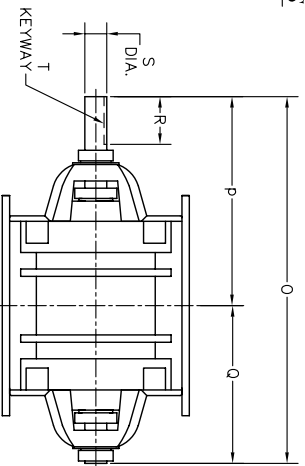
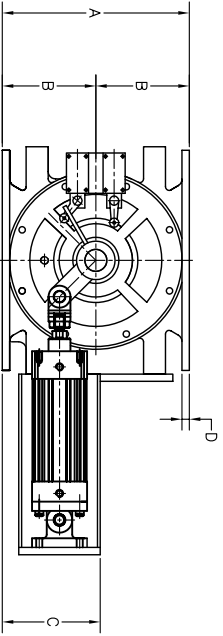
Options

- ACST-4 shaft seal or ACS Packing gland shaft seals available
- Hard chrome housing bore and endplate internal faces
- Manual lever actuator, electrical actuator or air operator
- Re-greasable bearings
- High temperature options up to 500° F
- Hardened clam style rotor

ACS CI-RPV Rotary Plug Valve is a dust tight rapid acting valve, designed for free flowing bulk materials such as cement, clay, limestone, plastic pellets, coal, grain and fly ash – to name a few.



SHAFT SEAL ASSEMBLY OPTIONS



ITEM	A	B	C	D	E	F	G	H	I	J	K	L	M	N	O	P	Q
6 X 6	10	5	5.3/8	1/2	22.9/16	20 1/16	5 1/2	13 1/16	6	4.3/4	N/A	11	8	7/16	21	12 1/8	8 7/8
8 X 8	10 1/2	5 1/4	5.5/8	1/2	24 13/16	20 1/16	6	15 7/16	8	3 1/2	4	12	12	7/16	23	13 1/4	9.3/4
10 X 10	12 3/4	6 3/8	6.3/4	1/2	26 5/16	20 15/16	7 5/8	15 9/16	10	4 1/2	4 1/2	15 1/4	12	7/16	25	14 1/4	10 3/4
12 X 12	15 1/2	7 3/4	8 1/8	1/2	29 9/16	23 13/16	8 1/2	17 7/16	12	5 1/4	5 1/4	17	12	7/16	27 3/4	15 5/8	12 1/8
14 X 14	19	9 1/2	9 7/8	1/2	31 1/4	24	9	17 3/4	14	5 1/2	5 1/2	18	12	7/16	30 1/4	16 3/4	13 1/2
16 X 16	19 1/2	9 3/4	10 1/8	1/2	34 7/16	26 3/16	10	18 15/16	15	6 7/8	6 1/4	20	12	7/16	33	17 1/2	15 1/2