



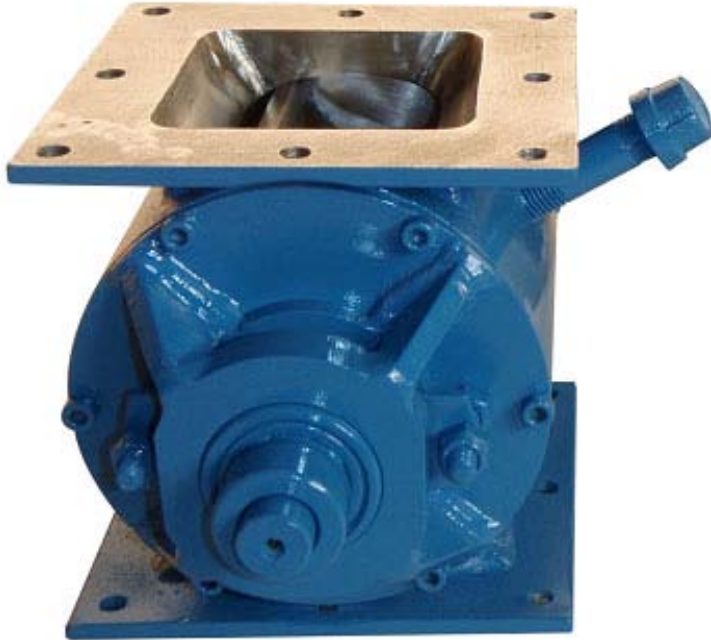
611 Argyle St. N. Caledonia, Ontario N3W 1M1

TEL: (800) 655-3447

FAX: (800) 955-4991

Email: sales@acsvalves.com

Website: www.acsvalves.com



Mini 19 Rotary Valve

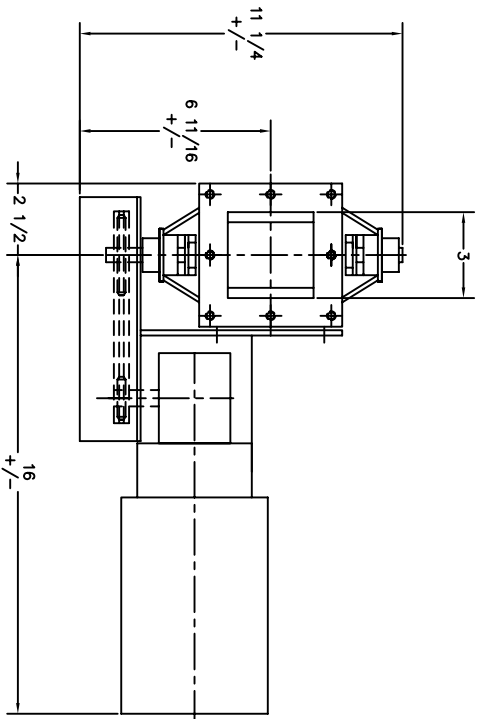
Drop-Thru Feeder/ Airlock

Features

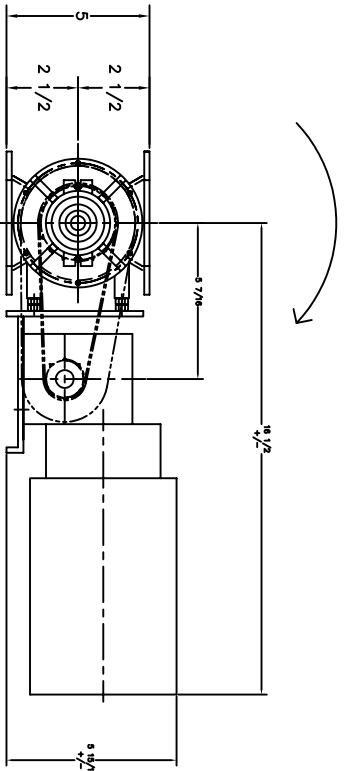
- 2" or 3" inlet/outlet flange sizes
- Dependable effective design
- Mild steel or stainless steel construction available
- Precision machining of components
- Unique shaft seal design
- Square or round flanges available
- Standard 6-vane rotor design comes complete with beveled tips and sides, option 4-vane available
- ACS Packing gland shaft seals available

Options

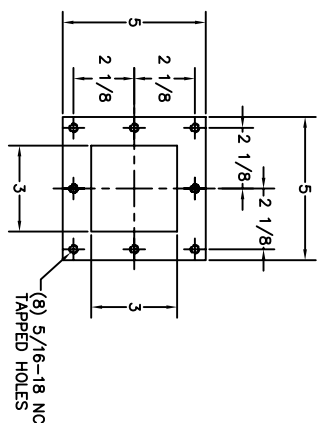
- Housing vent ports
- Surge hoppers, blow through adapters
- Rotor options: closed end, metering style, shallow pocket
- Chrome interior coating
- Shaft seal and rotor pocket air purge
- Special drive packages
- Motion speed switch assemblies



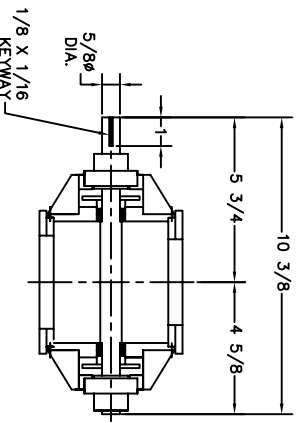
PLAN VIEW



ELEVATION



FLANGE DETAILS



ELEVATION

VALVE INFORMATION			
HOUSING MAT'L	END PLATE MAT'L	ROTOR MAT'L	BLADE TIP MAT'L
C.I.	C.I.	M.S.	FIXED
CLEARANCE			
			.004-.007

MOTOR BY OTHERS			
MFG.	H.P.	VOLTAGE	ENCLOSURE
NORD GEAR UNI BLOC	1/4	3/60/230V-460V	TFC
CL. & DIV. FRAME SIZE			
		STD. EFF.	63L/4
			1800

GEAREDUCER BY OTHERS			
MFG.	FRAME	SIZE	R.P.M.
NORD GEAR UNI BLOC	SK 1S1 31	SK 1S1 31-56C 63/4	42

CHAIN DRIVE BY OTHERS			
DRIVE	BORE	SIZE	DRIVEN
40B10	5/8	40B20	5/8

OPERATING CONDITIONS			
TEMP.	SEALS	ACST-4	

CONVEYING INFORMATION	
PRODUCT HANDLED	
PRODUCT DENSITY	0.006 C.F.R.
DISPLACEMENT/REV	100%
VALVE SPEED	FINAL RPM 20
CONVEY RATE	

NOTES

- 1) ALL DIMENSIONS IN INCHES
- 2) CONSTRUCTION: MILD STEEL HOUSING AND END PLATES, FABRICATED MILD STEEL 4-VANE OPEN END ROTOR WITH MILD STEEL FIXED EDGE ROTOR TIPS - FLAT. CLOCK WISE ROTATION LOOKING AT THE DRIVE END.
- 3) BOTTOM FLANGE BOLT PATTERN MATCHES TOP FLANGE BOLT PATTERN
- 4) PAINT: STANDARD METAL PREPARATION, EXTERIOR PRIMED AND ONE COAT FINISH ENAMEL - ACS BLUE, 5) PUSH TYPE SHAFT SEAL ASSEMBLY
- 6) OPTIONS:
 - ROTOR: 4-VANE OPEN END MILD STEEL
 - ROTOR: FIXED EDGE MILD STEEL ROTOR TIPS - FLAT



ANCASTER CONVEYING SYSTEMS LTD.
 611 ARGYLE ST. N CALEDONIA ONTARIO N3W-1M1
 TEL. (905) 765-2004 FAX. (905) 765-4491

TITLE: ACS MODEL MINI 19 ROTARY VALVE, GENERAL ARRANGEMENT
 FOR: M.C. SCHROEDER EQUIPMENT COMPANY, DENVER, NC
 P.O. 8559

SCALE:	N.T.S.	DRAWN BY:	G.T
DATE:	MAY/30/06	CHECKED:	
ISSUE	DATE	REVISION	BY
			B-3244

