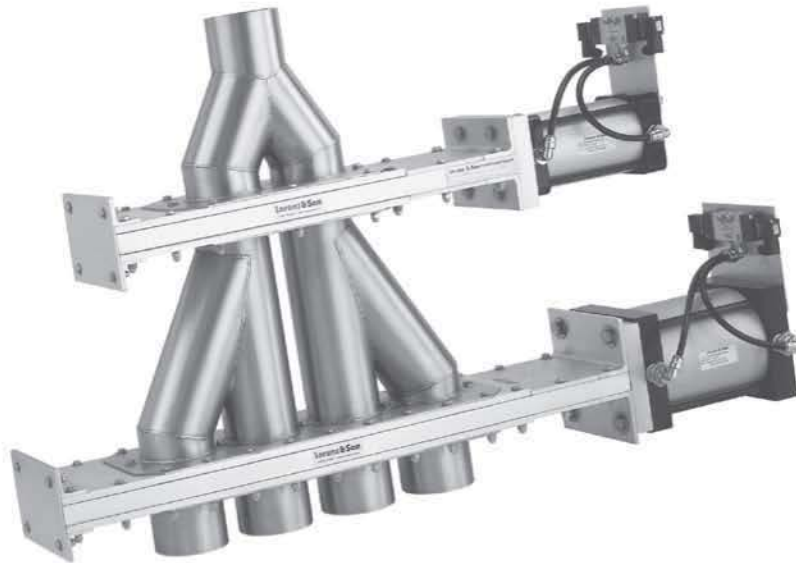


4 Way Diverter Valves Series "D"



Pneumatic actuated
4 Way Diverter Valve for
vacuum or low pressure*
conveying systems

Available in sizes from
2" up to 8"

**Inlets & Outlets available in Tube & Pipe sizes
in Stainless Steel, Aluminum & Carbon Steel**

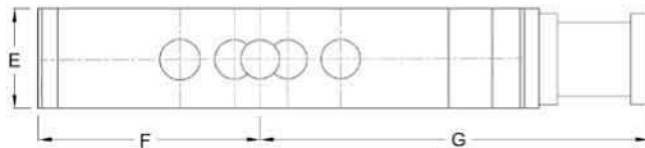
*(Dilute phase up to 15 psig max.)

Standard Features

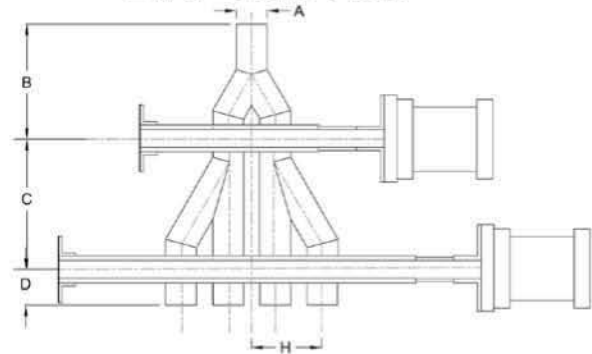
- Positive Blade Lock (PBL) between blade & cylinder rod
 - Internal magnetic piston, cushioned air cylinder
- Polished stainless steel blade • Active Compression Seals (ACS)
- Light weight aluminum body construction • Temperature rated for up to 82° C (180° F)
 - Wall thickness of 16, 14, & 11 gauge, schedule 10, 40 & 80
 - Fully tested prior to shipping

4 Way Diverter Valves - Series "D"

DV4 - Top View



DV4 - Side View



Model number	Size A	B	C	D	E	F	G	H
DV4-200	2	7½	8	4	5	8	17½	3¾
DV4-2375	2⅝	10	10	5	6	11	21½	5¼
DV4-250	2½	8	10	5	6	11	21½	5¼
DV4-2875	2⅞	10	10	5	6	11	21½	5¼
DV4-300	3	8½	10	4	6	11	21½	5¼
DV4-350	3½	12½	13	6	7	15½	28½	7½
DV4-400	4	10½	13	4	7	15½	28½	7½
DV4-450	4½	13½	15½	6	9	19¾	34½	9
DV4-500	5	12¾	15½	5	9	19¾	34½	9
DV4-5563	5 ^{9/16}	14¾	18¼	6	10	21¾	38	10½
DV4-600	6	14¾	18¼	5	10	21¾	38	10½
DV4-6625	6 ^{5/8}	15½	16½	7	11	21¾	48¼	15
DV4-800	8	19	18½	9	12	30¼	48¼	15

Options

- Position switches 5 volt to 240 volt AC/DC
- Prewired terminal boxes
- Over sized cylinders
- Valve body sealed for air purging
- Inlets/outlets - straight or flanged ends
- High temperature modifications
- Manual hand wheel operation
- Electric actuator
- Solenoids 110 volt AC or 24 volt DC
- NEMA 7-9 hazardous locations
Class I, Groups B, C&D, Class II, Groups E, F&G
- Double acting or single acting spring return solenoid or manual lever valve