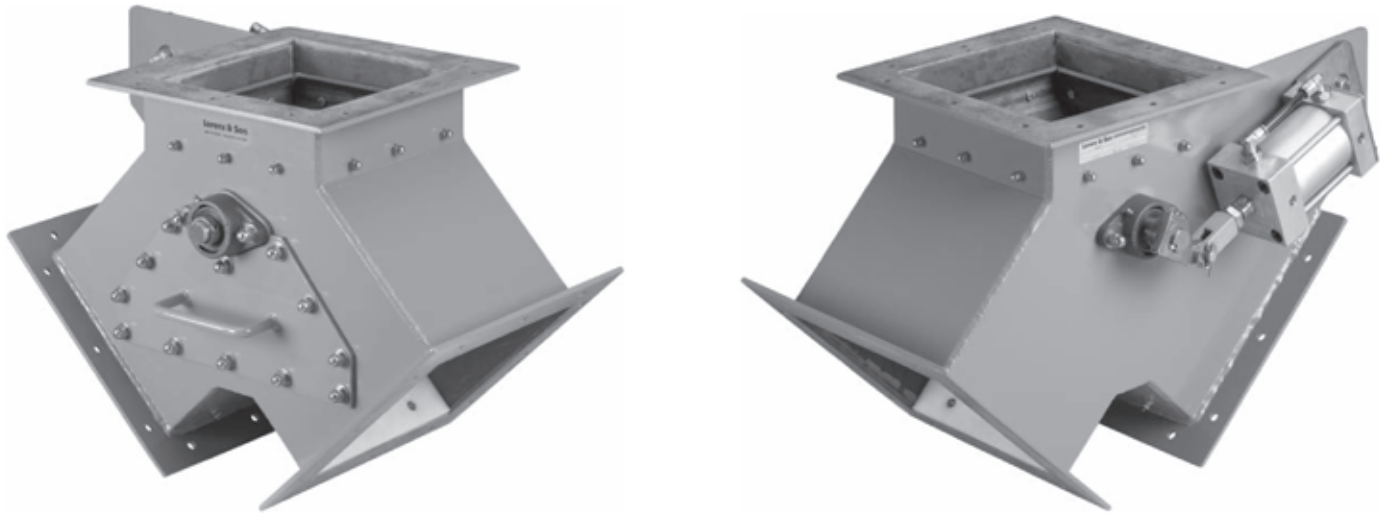


2-Way Aggregate Diverter Valve Series "J"



**AG Diverter designed for gravity flow applications
of dry aggregate materials.**

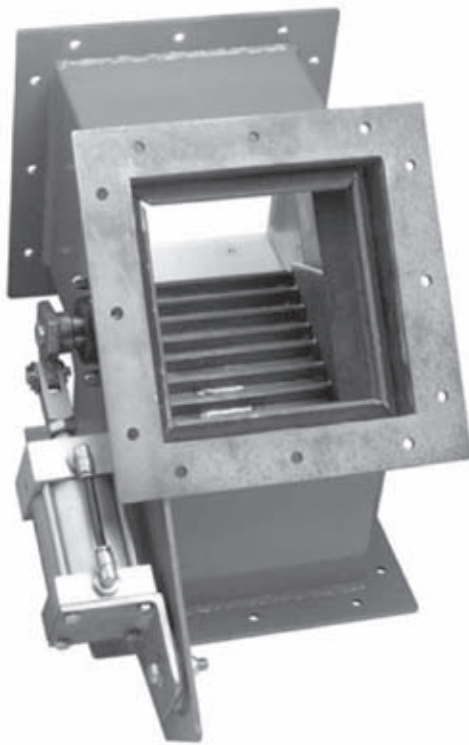
Standard Features

- Sizes from 6" to 24".
- Heavy duty carbon steel construction.
- Standard magnetic piston cushioned air cylinder.
 - 45 degree off leg standard.
- Access door for maintenance and inspection of valve.
 - Solenoids & position switches.

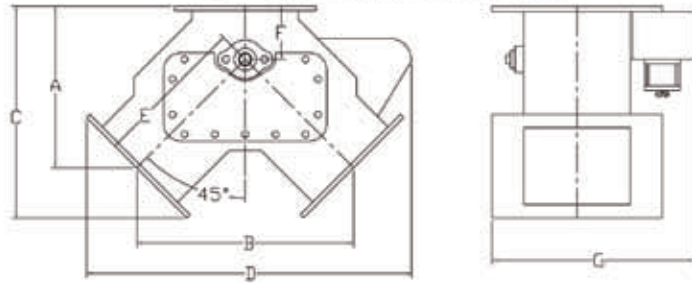
Options

- 30 degree off leg.
- Hand wheel/lever or chain wheel actuators.
- Square to round transitions.
- High temperature kits.
- Dead pocket detector.
- Interior polymer liners.
 - Pocketed liner.

We deliver what we promise on time every time!

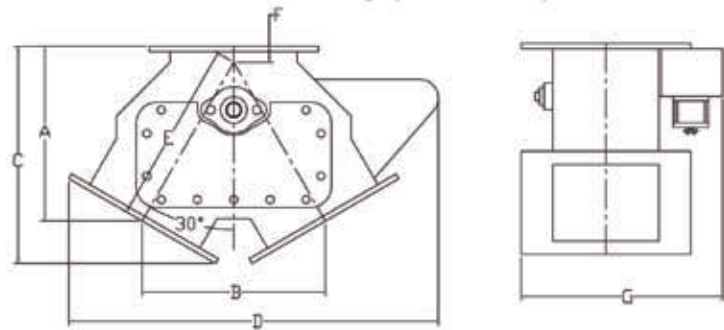


45° Off Leg (Standard)

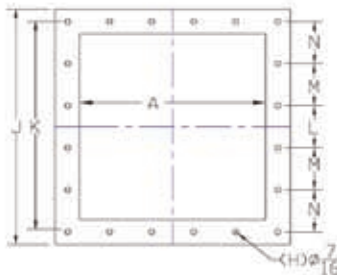


SIZE	A	B	C	D	E	F	G	weight
6"	11 1/2	12	15	23 3/4	8 1/2	5 1/2	14	70
8"	12 1/2	14	16 3/4	25 1/2	9 7/8	5 1/2	16	100
10"	13 1/2	16	18 1/2	30 1/2	11 3/8	5 1/2	18	130
12"	14 1/2	18	20 1/4	32 1/4	12 3/4	5 1/2	20	180
14"	16	20	22 3/8	36	14 1/8	6	24	240
16"	17	22	24 1/8	39 1/8	15 5/8	6	26	280
18"	18	24	25 3/4	43	17	6	28	320
20"	21	26	29 7/8	48 3/8	18 3/8	8	36	575
22"	22	28	31 1/2	49 1/4	19 3/4	8	38	625
24"	26 1/2	36	36 7/8	58 1/4	25 5/8	8 1/2	40	700

30° Off Leg (Optional)



SIZE	A	B	C	D	E	F	G	weight
6"	12	10	14 1/2	24	10	3 3/8	14	70
8"	13	12	16	25 1/2	12	2 5/8	16	100
10"	14	14	17 1/2	30 5/8	14	1 7/8	18	130
12"	15	16	19	32 1/2	16	1 1/8	20	180
14"	17	18	21 1/2	36 1/2	18	1 3/8	24	240
16"	18	20	23	39 3/4	20	5/8	26	280
18"	19	22	24 1/2	43 3/4	22	0	28	320
20"	24	26	30 1/4	48 1/2	25 7/8	1 5/8	36	575
22"	25 1/4	26	31 3/4	51 3/8	26	3	38	625
24"	27	30	34 1/4	56 1/2	30	1	40	700



CEMA STANDARD
FLANGE PATTERN
(odd sizes 13-21)

A	H	J	K	L	M
6	8	10	9	4 1/2	
8	8	12	11	5 1/2	
10	16	14	13	3 1/4	
12	16	16	15	3 3/4	
14	16	18	17	4 1/4	
16	16	20	19	4 3/4	
18	16	22	21	5 1/4	
20	16	24	23	5 3/4	
22	24	26	25 1/8	4 3/16	4 1/8
24	24	28	27	4 1/2	